

2MW AM Transmitter Project



Solt 2MW Transmission Site



Solt 2MW Coverage



Existing Transmitter



Antenna Matching



RF Switching



AC Power



MVA	I.	25	HÜTÉS
	II.	16	VENT. M
	III.	16	ÖSSZS
FESZÜLTSG kV	I.	120±15	SZÁLLI
	II.	22	KIEMEL
	III.	11	ÉSZE



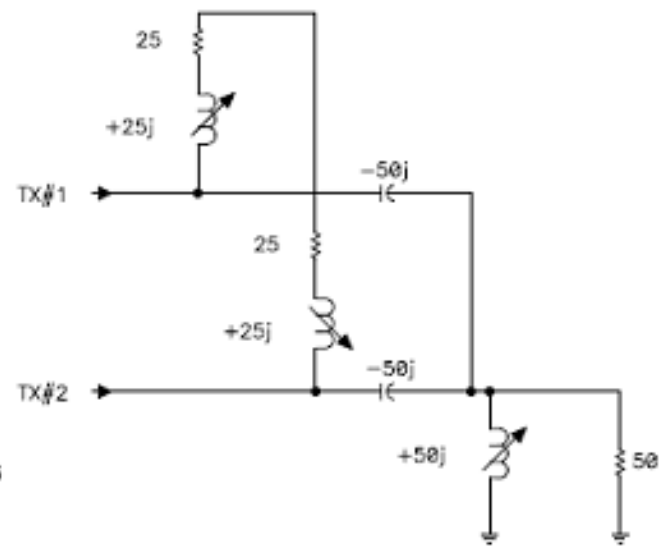
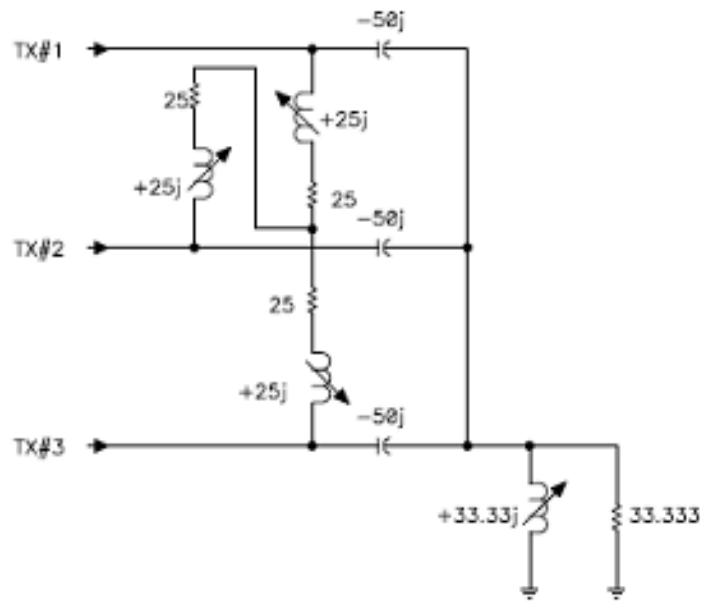
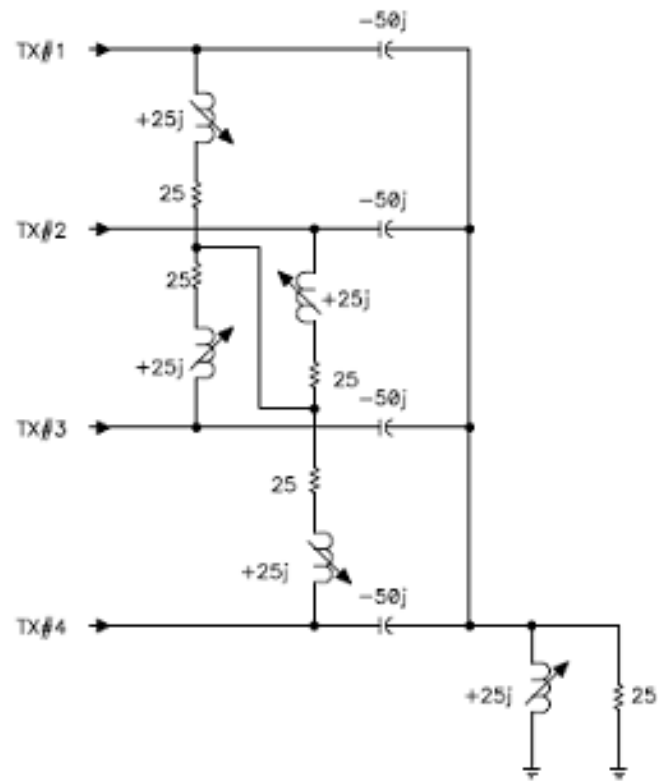
Scope of Supply

- 5 x NX400 transmitters
- NXC2000 combiner
- AC power distribution
- Transmission line
- Ventilation System
- Test Load
- Interconnect Cabling
- PIE Rack
- FAT
- Installation Supervision
- Commissioning
- SAT

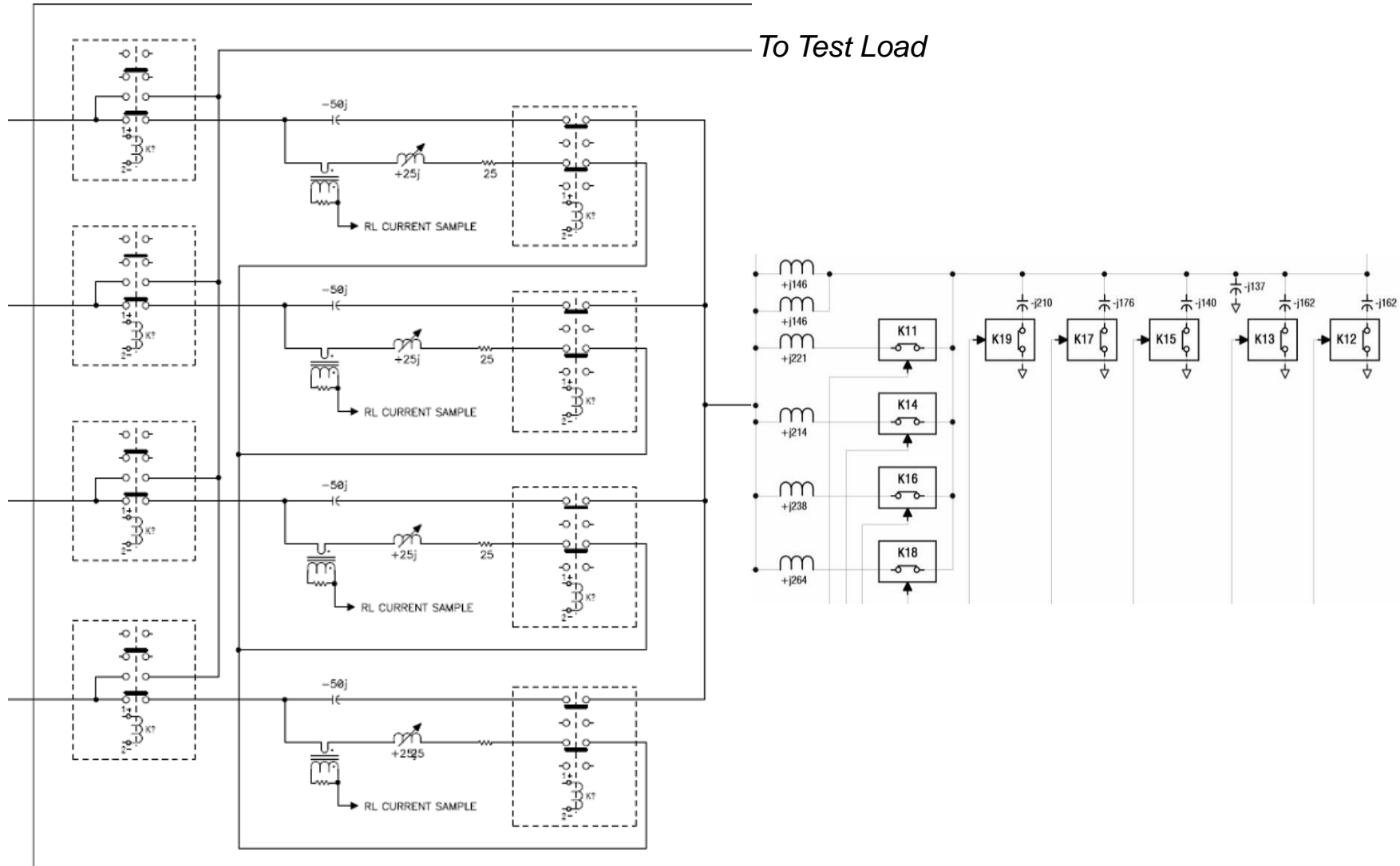
NX400 Transmitter



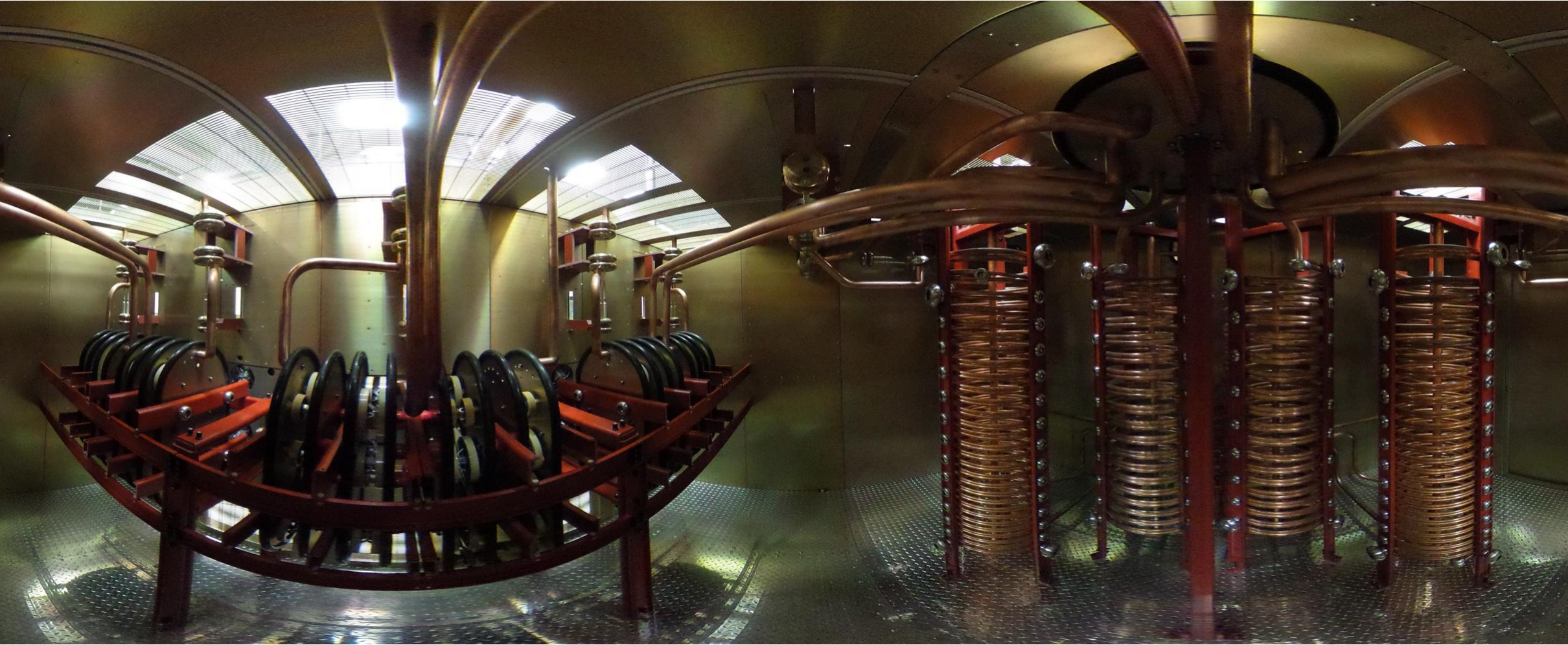
NXC2000 Combiner



NXC2000 Combiner

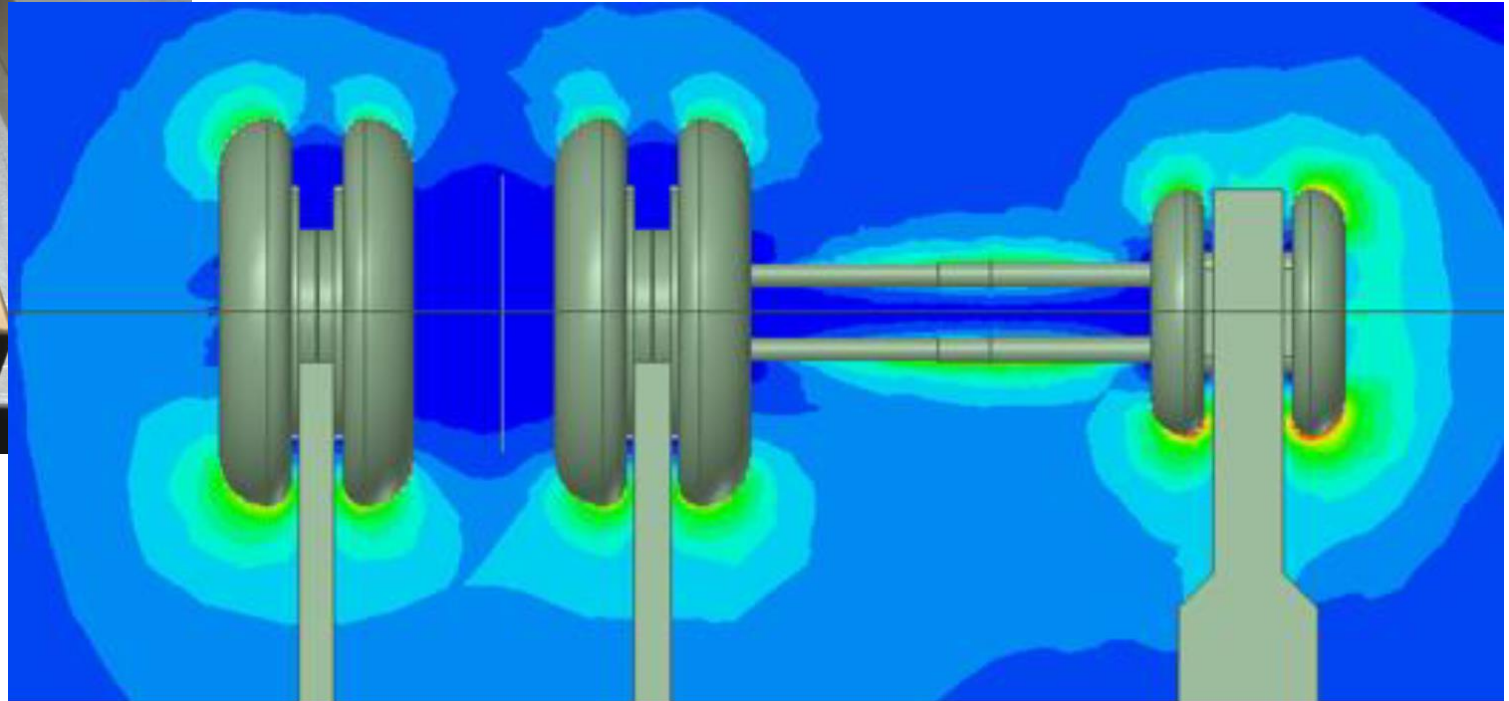
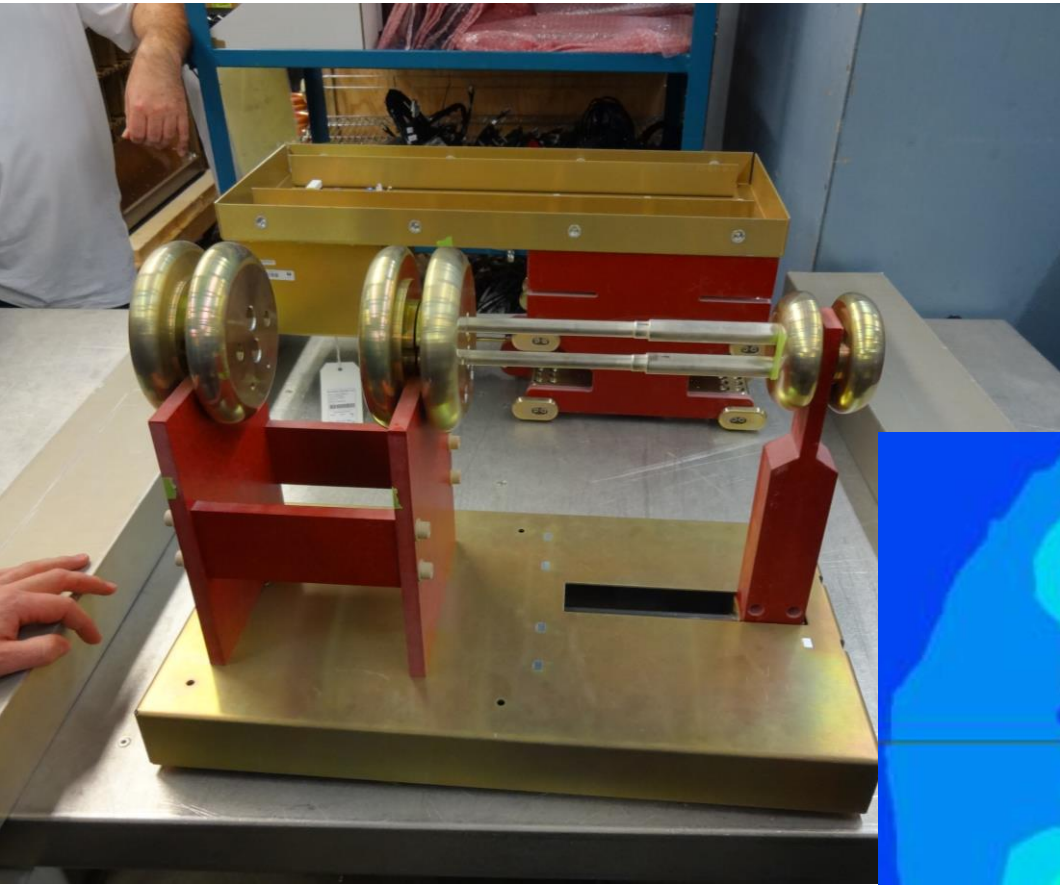


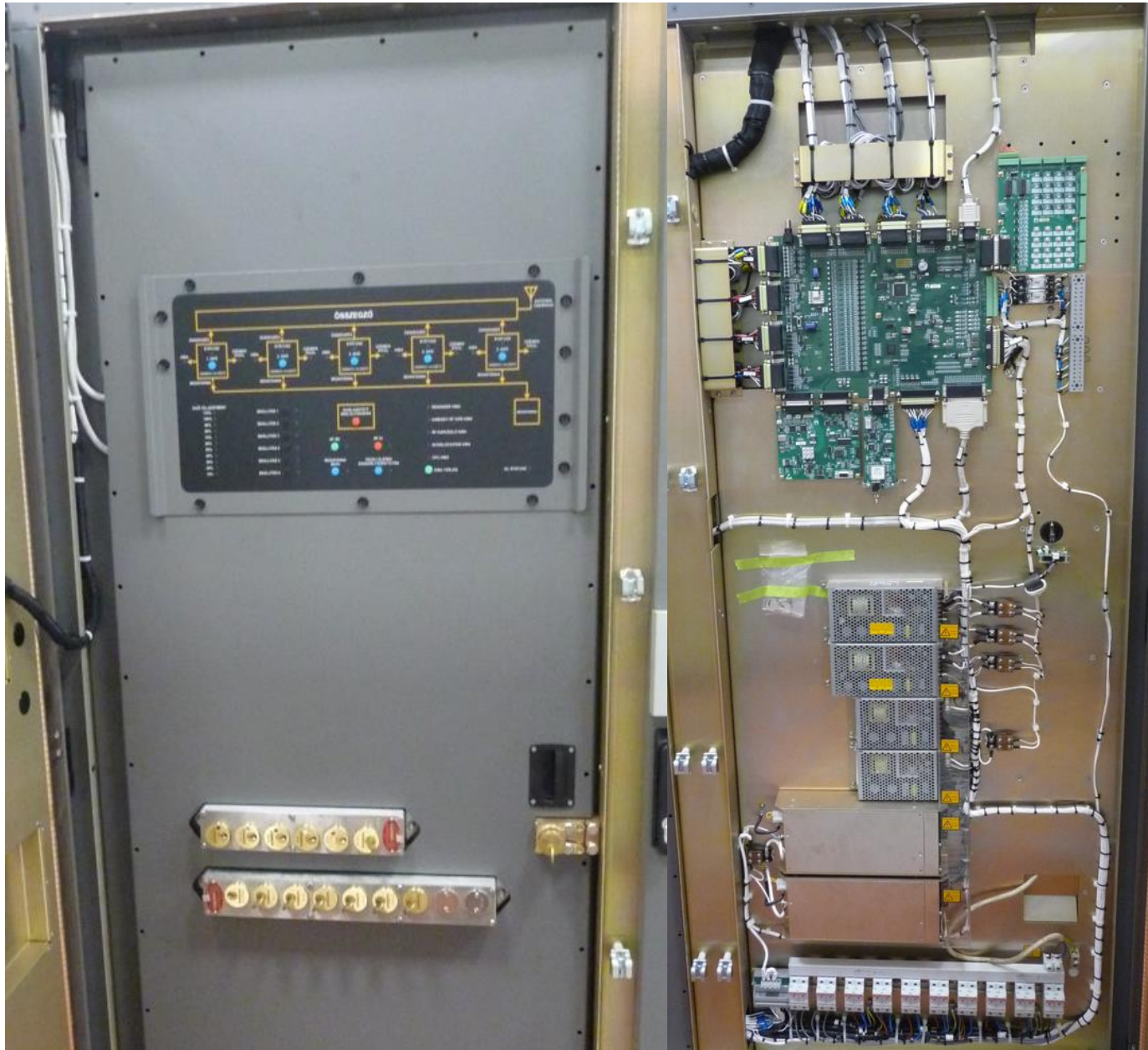
NXC2000 – Small but serviceable





Modelling was Key

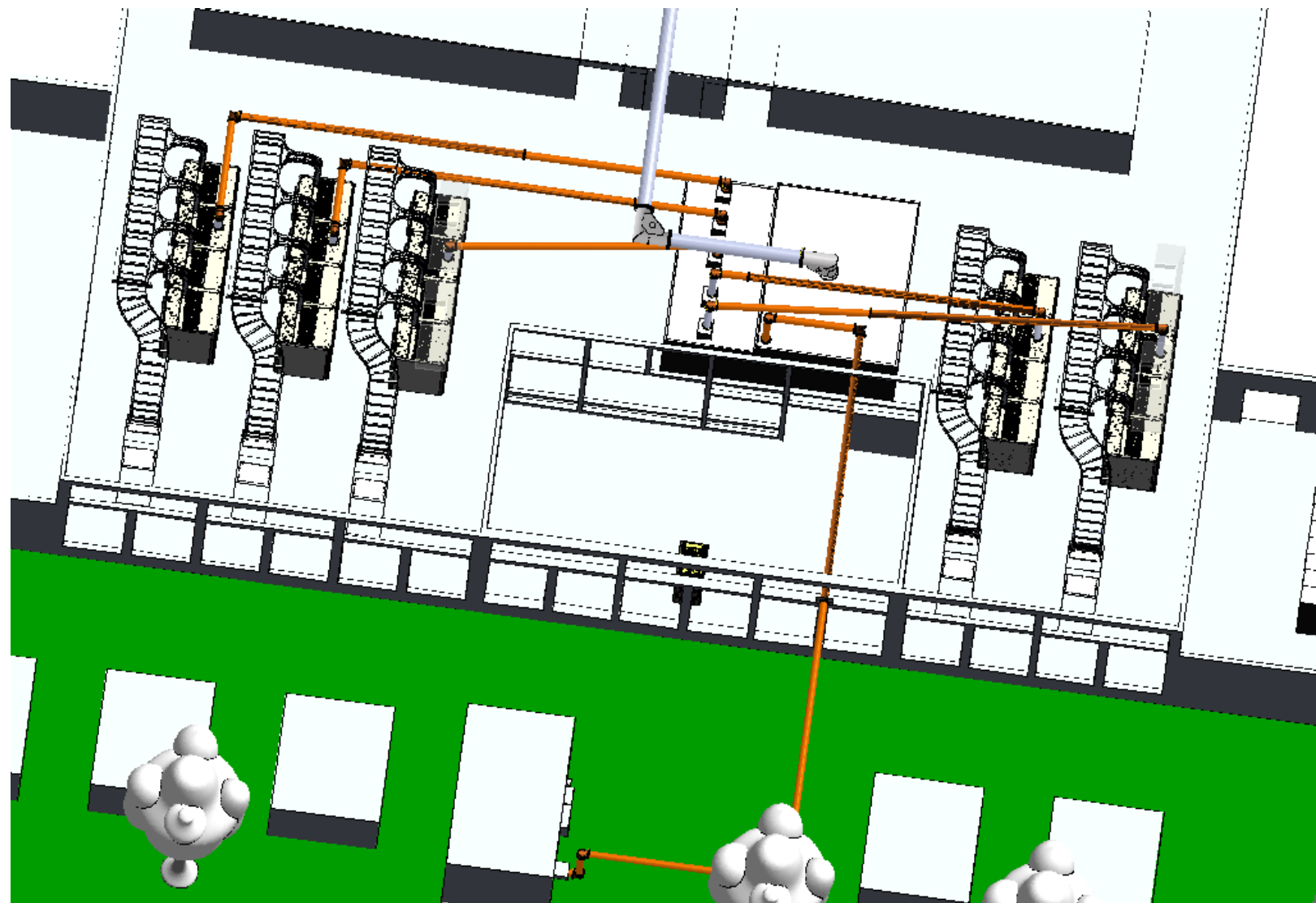








System Layout



AC Power Distribution



AC Power Distribution



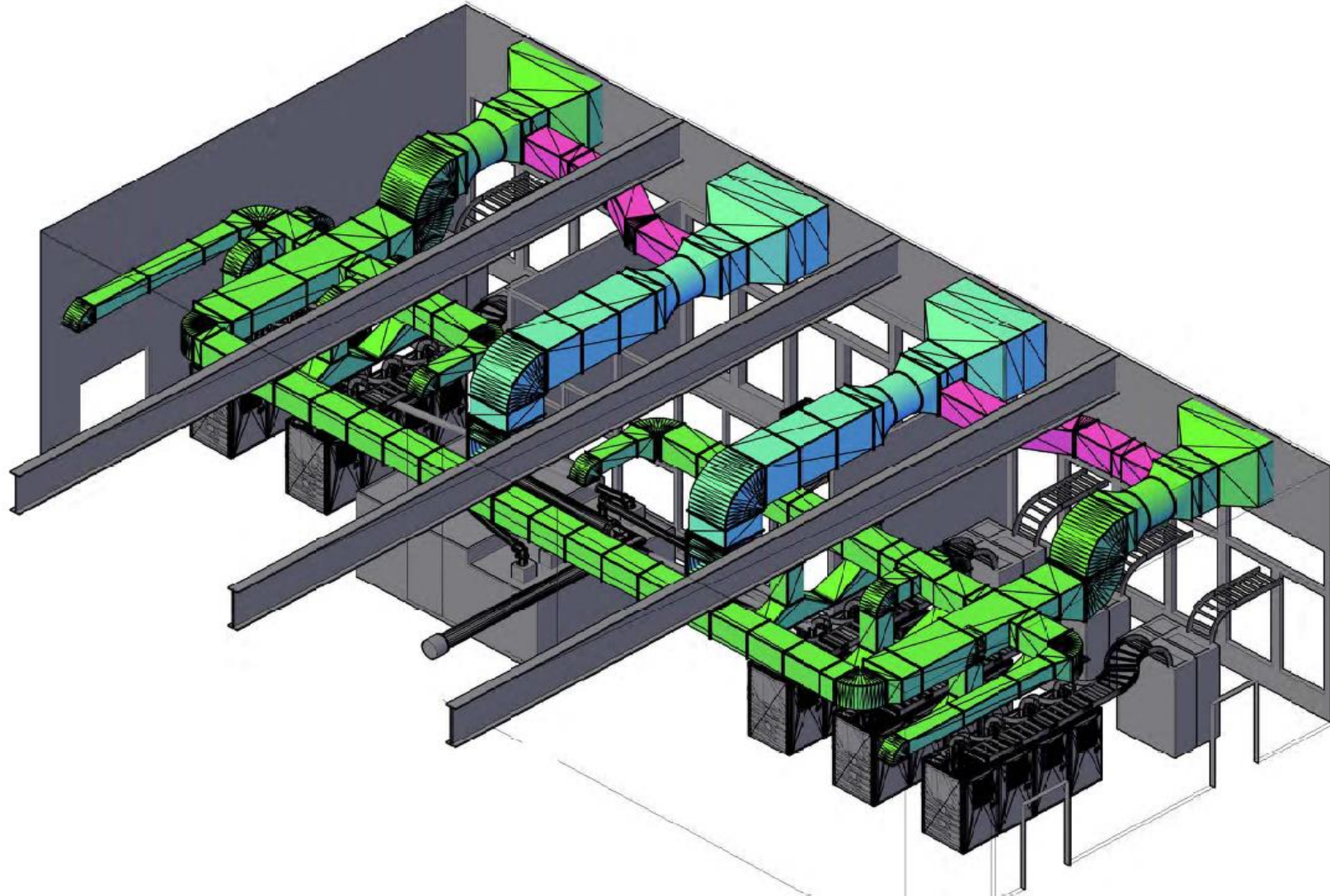
Transmission Line



Transmission Line



Ventilation System



Ventilation System



On the air!

The screenshot displays the Nautel control interface. At the top left is the Nautel logo. The main header area is divided into three sections: 'Combiner' showing a total power of 2.00 MW, 'Transfer Control' with various status indicators, and a date/time display (Thu Nov 23 2017 00:52:27) and 'Scheduler: Off' status.

The 'System Routing' section contains a table with the following data:

Name	Routing	RF	Fwd Pwr	Rej Pwr	Status
TX-A	Combined	On	400 kW	1.76 kW	✓
TX-B	Combined	On	400 kW	3.90 kW	✓
TX-C	Combined	On	400 kW	2.45 kW	✓
TX-D	Combined	On	400 kW	1.26 kW	✓
TX-E	Combined	On	400 kW	1.00 kW	✓

The 'Meters' section on the right shows two power monitors:

- RF Power Monitor Forward Average Power:** A progress bar showing 1.99 MW out of a 3.00 MW range.
- RF Power Monitor Forward Peak Power:** A progress bar showing 11.2 MW out of a 3.00 MW range.

At the bottom, there is a navigation bar with buttons for 'RF On', 'RF Off', 'Menu', 'Status', 'Logs', 'Local', 'Remote', 'Reset', and 'Log Out'. The user is logged in as 'Nautel'.

THANK YOU

54

years of
NAUTEL 1969
2023

